

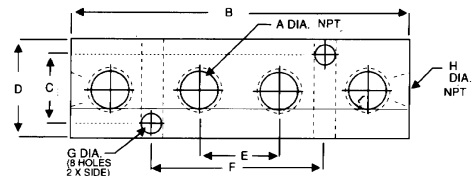
Aluminum Manifolds

Annodized Red or Blue -1" Supply



- Rated to: 1000 PSI - Air
3000 PSI - Hydraulic
- Heavy wall extruded
6061 aluminum
- No welds! No rust!
- Very low cost
- Custom Manifolds available
in a few days
- Easy to clean
- In-stock, same-day shipment!

Our aluminum manifolds offer many advantages over welded steel or pipe manifolds. These manifolds have no welds or seams of any kind and cannot rust, they will offer many years of trouble-free service. The heavy wall extrusion will withstand extreme abuse and the round center hole permits easy cleaning. We will custom make manifolds to your dimensions in just a few days. Compare the features and price to anything else and you'll understand why our manifolds are the new standard for molders from Coast-to-Coast!



Custom Manifolds are available in a few days! Fax us your sketch.

☐ Remember to Add "R" for Red or "B" for Blue to end of Part#													
Part No.	No. Of Ports	Dimensions Refer To Drawing Above.								wght lbs.	Price Each		
		A	B	C	D	E	F	G	H		1-10	11-25	26+
4 In Line													
AM101☐	4	¼	7.4	1.75	2.25	1.87	3.8	0.27	1"	3	\$40.24	\$37.38	\$34.33
AM102☐	4	⅜	7.4	1.75	2.25	1.87	3.8	0.27	1"	3	\$40.24	\$37.38	\$34.33
AM103☐	4	½	8.5	1.75	2.25	2.25	4.5	0.27	1"	3	\$43.59	\$40.49	\$37.19
AM104☐	4	¾	8.5	1.75	2.25	2.25	4.5	0.27	1"	3	\$43.59	\$40.49	\$37.19
4 x 4 at 90°													
AM101-90☐	8	¼	7.4	1.75	2.25	1.87	3.8	0.27	1"	3	\$46.04	\$42.77	\$39.28
AM102-90☐	8	⅜	7.4	1.75	2.25	1.87	3.8	0.27	1"	3	\$46.04	\$42.77	\$39.28
AM103-90☐	8	½	8.5	1.75	2.25	2.25	4.5	0.27	1"	3	\$49.40	\$45.88	\$42.14
AM104-90☐	8	¾	8.5	1.75	2.25	2.25	4.5	0.27	1"	3	\$49.40	\$45.88	\$42.14
6 In Line													
AM107☐	6	¼	11.9	1.75	2.25	1.87	7.5	0.27	1"	5	\$51.44	\$47.78	\$43.88
AM108☐	6	⅜	11.9	1.75	2.25	1.87	7.5	0.27	1"	5	\$51.44	\$47.78	\$43.88
AM109☐	6	½	13.8	1.75	2.25	2.25	9.1	0.27	1"	5	\$55.11	\$51.20	\$47.02
AM110☐	6	¾	13.8	1.75	2.25	2.25	9.1	0.27	1"	5	\$55.11	\$51.20	\$47.02
6 x 6 at 90°													
AM107-90☐	12	¼	11.9	1.75	2.25	1.87	7.5	0.27	1"	5	\$63.57	\$59.05	\$54.23
AM108-90☐	12	⅜	11.9	1.75	2.25	1.87	7.5	0.27	1"	5	\$63.57	\$59.05	\$54.23
AM109-90☐	12	½	13.8	1.75	2.25	2.25	9.1	0.27	1"	5	\$67.25	\$62.47	\$57.37
AM110-90☐	12	¾	13.8	1.75	2.25	2.25	9.1	0.27	1"	5	\$67.25	\$62.47	\$57.37
8 In Line													
AM111☐	8	¼	14.9	1.75	2.25	1.87	11.3	0.27	1"	7	\$61.19	\$56.84	\$52.20
AM112☐	8	⅜	14.9	1.75	2.25	1.87	11.3	0.27	1"	7	\$61.19	\$56.84	\$52.20
AM113☐	8	½	17.5	1.75	2.25	2.25	13.5	0.27	1"	7	\$67.27	\$62.48	\$57.38
AM114☐	8	¾	17.5	1.75	2.25	2.25	13.5	0.27	1"	7	\$67.27	\$62.48	\$57.38
8 x 8 at 90°													
AM111-90☐	16	¼	14.9	1.75	2.25	1.87	11.3	0.27	1"	6	\$77.54	\$72.03	\$66.15
AM112-90☐	16	⅜	14.9	1.75	2.25	1.87	11.3	0.27	1"	6	\$77.54	\$72.03	\$66.15
AM113-90☐	16	½	17.5	1.75	2.25	2.25	13.5	0.27	1"	6	\$83.62	\$77.67	\$71.33
AM114-90☐	16	¾	17.5	1.75	2.25	2.25	13.5	0.27	1"	6	\$83.62	\$77.67	\$71.33



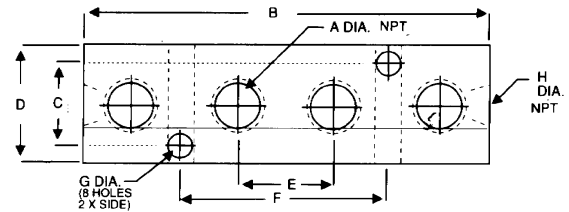
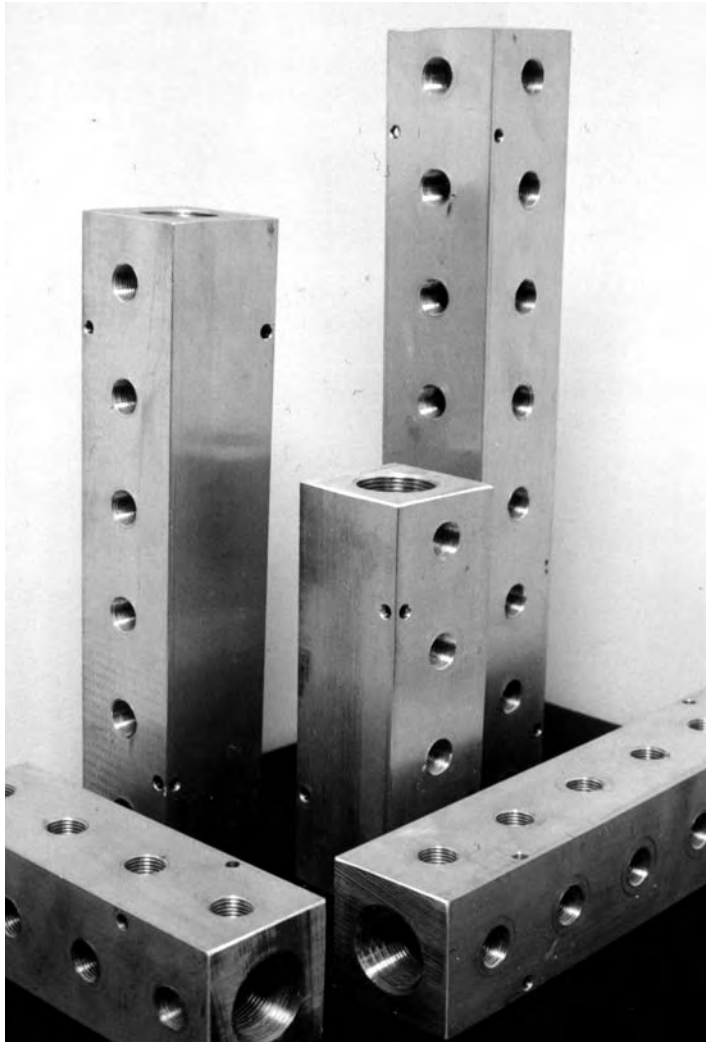
4 In Line



4 x 4 at 90°

Aluminum Manifolds

Non-Anodized-1 1/4" Supply



Custom Manifolds
Available Upon Request.
Affordable Price
Quick Turn-A-Round
Call Today!



Part No.	No. Of Ports	Dimensions Refer To Drawing Above.								wght lbs.	Price Each		
		A	B	C	D	E	F	G	H		1-10	11-25	26+
4 In Line													
AM105	4	1/2	8.5	2.2	2.75	2.25	5.4	.265	1 1/4"	5.00	\$53.35	\$49.56	\$45.51
AM106	4	3/4	8.5	2.2	2.75	2.25	5.4	.265	1 1/4"	5.00	\$55.46	\$51.52	\$47.31
4 x 4 at 90°													
AM105-90	8	1/2	8.5	2.2	2.75	2.25	5.4	.265	1 1/4"	5.00	\$59.15	\$54.95	\$50.46
AM106-90	8	3/4	8.5	2.2	2.75	2.25	5.4	.265	1 1/4"	5.00	\$61.26	\$56.91	\$52.26
6 In Line													
AM109-3	6	1/2	13.8	2.2	2.75	2.25	5.4	.265	1 1/4"	8.00	\$75.32	\$69.97	\$64.26
AM110-3	6	3/4	13.8	2.2	2.75	2.25	5.4	.265	1 1/4"	8.00	\$77.43	\$71.93	\$66.06
6 x 6 at 90°													
AM109-93	12	1/2	13.8	2.2	2.75	2.25	5.4	.265	1 1/4"	8.00	\$87.46	\$81.24	\$74.61
AM110-93	12	3/4	13.8	2.2	2.75	2.25	5.4	.265	1 1/4"	8.00	\$89.57	\$83.20	\$76.41
8 In Line													
AM115	8	1/2	17.5	2.2	2.75	2.25	14.4	.265	1 1/4"	10.00	\$88.99	\$82.66	\$75.92
AM116	8	3/4	17.5	2.2	2.75	2.25	14.4	.265	1 1/4"	10.00	\$91.10	\$84.62	\$77.72
8 x 8 at 90°													
AM115-90	16	1/2	17.5	2.2	2.75	2.25	14.4	.265	1 1/4"	10.00	\$105.34	\$97.85	\$89.87
AM116-90	16	3/4	17.5	2.2	2.75	2.25	14.4	.265	1 1/4"	10.00	\$107.45	\$99.81	\$91.67

featuring the best of:

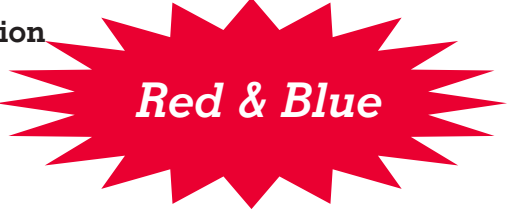
367

Northern Supply (800-365-6565) • Nickerson Machinery (800-821-9534) • OHS (Ontario-888-809-7050/Quebec-888-475-9224)

Aluminum Manifolds



- One piece Aluminum extrusion
- Anodized red and blue for corrosion protection
- No welds
- No rust
- 3/4, 1" or 1 1/2" NPT Supply
- 1/4", 3/8 or 1/2" ports
- Brass end plug included
- Pre-drilled mounting holes and screws
- Interlocking Units



**Made In
The USA!**

*Indicates non-stock item

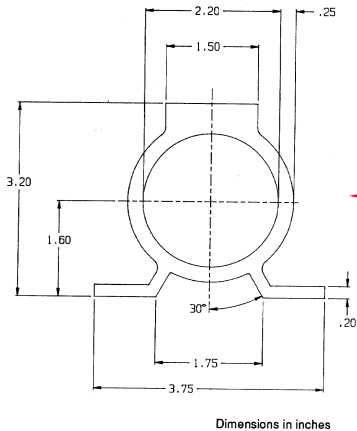
☐ Add "R" for Red or "B" for Blue								
Part No.	No. Ports	NPT Port Size	Length	Inlet NPT	Between Ports	Price Each		
						1-4	5-9	10+
3/4" NPT Inlet/Outlet with 1/4" NPT Ports								
6SA4-2☐	4	1/4"	7.5"	3/4"	1 1/2"	\$44.00	\$41.80	\$39.60
6SA6-2☐	6	1/4"	10.5"	3/4"	1 1/2"	\$53.00	\$50.35	\$47.70
6SA8-2☐	8	1/4"	13.5"	3/4"	1 1/2"	\$65.00	\$61.75	\$58.50
*6SA10-2☐	10	1/4"	16.5"	3/4"	1 1/2"	\$83.00	\$78.85	\$74.70
*6SA12-2☐	12	1/4"	19.5"	3/4"	1 1/2"	\$97.00	\$92.15	\$87.30
*6SA16-2☐	16	1/4"	25.5"	3/4"	1 1/2"	\$120.00	\$114.00	\$108.00
3/4" NPT Inlet/Outlet with 3/8" NPT Ports								
6SA4-3☐	4	3/8"	9"	3/4"	2"	\$51.00	\$48.45	\$45.90
6SA6-3☐	6	3/8"	13"	3/4"	2"	\$59.00	\$56.05	\$53.10
6SA8-3☐	8	3/8"	17"	3/4"	2"	\$76.00	\$72.20	\$68.40
*6SA10-3☐	10	3/8"	21"	3/4"	2"	\$93.00	\$88.35	\$83.70
*6SA12-3☐	12	3/8"	25"	3/4"	2"	\$114.00	\$108.30	\$102.60
*6SA16-3☐	16	3/8"	33"	3/4"	2"	\$142.00	\$134.90	\$127.80
1" NPT Inlet/Outlet with 1/4" NPT Ports								
SA4-2☐	4	1/4"	7.5"	1"	1 1/2"	\$50.00	\$47.50	\$45.00
SA6-2☐	6	1/4"	10.5"	1"	1 1/2"	\$59.00	\$56.05	\$53.10
SA8-2☐	8	1/4"	13.5"	1"	1 1/2"	\$75.00	\$71.25	\$67.50
SA10-2☐	10	1/4"	16.5"	1"	1 1/2"	\$93.00	\$88.35	\$83.70
SA12-2☐	12	1/4"	19.5"	1"	1 1/2"	\$114.00	\$108.30	\$102.60
SA16-2☐	16	1/4"	25.5"	1"	1 1/2"	\$142.00	\$134.90	\$127.80
1" NPT Inlet/Outlet with 3/8" NPT Ports								
SA4-3☐	4	3/8"	9"	1"	2"	\$58.00	\$55.10	\$52.20
SA6-3☐	6	3/8"	13"	1"	2"	\$72.00	\$68.40	\$64.80
SA8-3☐	8	3/8"	17"	1"	2"	\$90.00	\$85.50	\$81.00
SA10-3☐	10	3/8"	21"	1"	2"	\$111.00	\$105.45	\$99.90
SA12-3☐	12	3/8"	25"	1"	2"	\$134.00	\$127.30	\$120.60
SA16-3☐	16	3/8"	33"	1"	2"	\$169.00	\$160.55	\$152.10
1-1/2" NPT Inlet/Outlet with 1/2" NPT Ports								
12SA4-4☐	4	1/2"	10"	1-1/2"	2"	\$91.00	\$86.45	\$81.90
12SA6-4☐	6	1/2"	14"	1-1/2"	2"	\$116.00	\$110.20	\$104.40
12SA8-4☐	8	1/2"	18"	1-1/2"	2"	\$144.00	\$136.80	\$129.60
12SA10-4☐	10	1/2"	22"	1-1/2"	2"	\$171.00	\$162.45	\$153.90
12SA12-4☐	12	1/2"	26"	1-1/2"	2"	\$198.00	\$188.10	\$178.20
12SA16-4☐	16	1/2"	34"	1-1/2"	2"	\$250.00	\$237.50	\$225.00

Aluminum Manifolds



Very large 2" female NPT manifold allows tremendous flow. This large manifold supplies up to 16 - 1/2" ports uniformly without restricting flow.

**Made In
The USA!**



**HUGE 2"
SUPPLY**

NOW IN RED & BLUE
Please Specify

- One piece aluminum extrusion
- Anodized for corrosion protection
- No welds
- No rust
- 2" NPT supply for maximum flow
- 1/2" ports - up to 1" available
- Brass end plug included
- Integral mounting flange
- With or without flow
- Money back guarantee

Options include:

- 1/2" Ball Valves
- 1/2" Quick change plugs
- 1/2" Hose barbs
- Flowmeters
- Thermometers
- 1 1/2" or 2" supply/hose barb fittings
- Custom modifications

PART NO.	NO. OF PORTS	LENGTH	PRICE EACH	
			1-4	5+
A4A	4	10"	\$92.00	\$87.40
A6A	6	14"	\$113.00	\$107.35
A8A	8	18"	\$137.00	\$130.15
A12A	12	26"	\$186.00	\$176.70
A16A	16	34"	\$234.00	\$222.30

Manifolds include a brass end plug

*Specify Red or Blue by adding
-R or -B to Part Number!*

Manifold Labels

Label your manifolds with these color-coded labels. For use with Nylon, Painted or Stainless Steel.

Item	Part #	Price
Blue Labels	MSS100B	\$0.75 /sheet
Red Labels	MSS100R	\$0.75 /sheet



featuring the best of:

369



Painted Steel Manifolds:

Our painted steel water manifolds help you increase cycles through more efficient water distribution. They help you tidy your hoses while reducing the number of hoses to mold. Mount the manifolds close to your mold for maximum flow volumes. Platen-mounted manifolds reduce hose lengths (if you plan to keep platen-mounted manifolds in storage with your mold, we recommend that you select our anodized aluminum or stainless steel manifolds).

Manufactured from heavy gauge mild steel with threaded couplings welded in place. Pre-drilled mounting brackets for easy mounting to your mold platens or temperature controller are included.

Stainless Steel Manifolds:

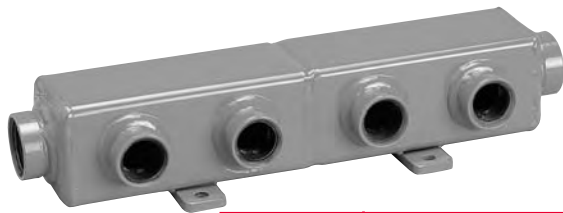
All the benefits of our painted steel manifolds: better water distribution for increased cycles, reduced number of hoses, tidier hose arrangements...and a big PLUS: NO RUST OR CORROSION. If your plant has poor water quality, the extra investment in stainless steel pays off fast in lower maintenance and maximum flow volumes at all times. If you platen-mount the manifolds, you can put them into storage with no fear or rust.

Steel Manifolds

Painted and Stainless-SINGLE



Steel Type	Inlets		Outlets		Dimensions			Part No.	Price Each
	NPT	Qty	NPT	Qty	L	W	H		
Painted	3/4"	2	1/2"	4	12 3/4"	2 1/2"	2 1/2"	CWM4	\$59.00
Stainless	3/4"	2	1/2"	4	12 3/4"	2 1/2"	2 1/2"	CWM4CR	\$83.00



Steel Type	Inlets		Outlets		Dimensions			Part No.	Price Each
	NPT	Qty	NPT	Qty	L	W	H		
Painted	1"	2	3/4"	4	13 1/2"	2 1/2"	2 1/2"	CWML22	\$59.00
Stainless	1"	2	3/4"	4	13 1/2"	2 1/2"	2 1/2"	CWML22CR	\$99.00



Steel Type	Inlets		Outlets		Dimensions			Part No.	Price Each
	NPT	Qty	NPT	Qty	L	W	H		
Painted	1 1/4"	2	3/4"	8	24 1/4"	2 1/2"	2 1/2"	CWM8A	\$78.00
Stainless	1 1/4"	2	3/4"	8	24 1/4"	2 1/2"	2 1/2"	CWM8ACR	\$198.00



Steel Type	Inlets		Outlets		Dimensions			Part No.	Price Each
	NPT	Qty	NPT	Qty	L	W	H		
Painted	3/4"	2	1/2"	8	24"	2 1/2"	2 1/2"	CWM44	\$67.20
Stainless	3/4"	2	1/2"	8	24"	2 1/2"	2 1/2"	CWM44CR	\$151.00

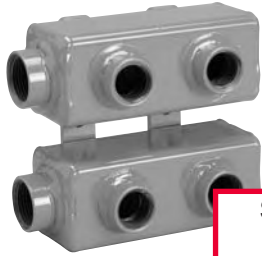


featuring the best of:

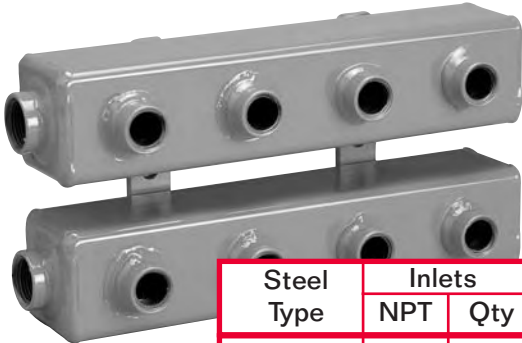
371

Steel Manifolds

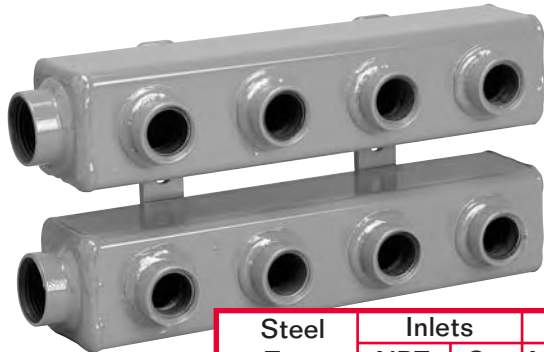
Painted and Stainless-STACKED



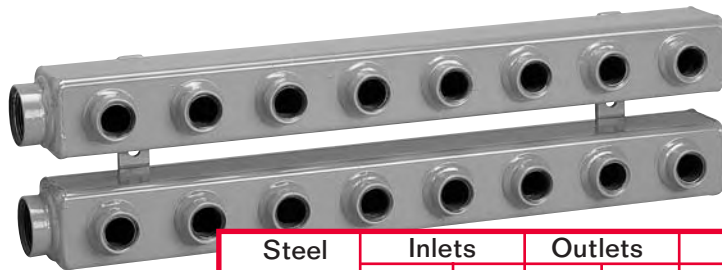
Steel Type	Inlets		Outlets		Dimensions			Part No.	Price Each
	NPT	Qty	NPT	Qty	L	W	H		
Painted	1"	2	3/4"	4	7"	6"	2 1/2"	CWML2S2	\$59.00
Stainless	1"	2	3/4"	4	7"	6"	2 1/2"	CWML2S2CR	\$122.00



Steel Type	Inlets		Outlets		Dimensions			Part No.	Price Each
	NPT	Qty	NPT	Qty	L	W	H		
Painted	3/4"	2	1/2"	8	12 1/4"	6"	2 1/2"	CWM4S4	\$75.00
Stainless	3/4"	2	1/2"	8	12 1/4"	6"	2 1/2"	CWM4S4CR	\$174.00



Steel Type	Inlets		Outlets		Dimensions			Part No.	Price Each
	NPT	Qty	NPT	Qty	L	W	H		
Painted	1"	2	3/4"	8	12 1/2"	6"	2 1/2"	CWML4S4	\$75.00
Stainless	1"	2	3/4"	8	12 1/2"	6"	2 1/2"	CWML4S4CR	\$174.00



Steel Type	Inlets		Outlets		Dimensions			Part No.	Price Each
	NPT	Qty	NPT	Qty	L	W	H		
Painted	1 1/4"	2	3/4"	16	23 1/2"	6"	2 1/2"	CWM8S8A	\$124.00
Stainless	1 1/4"	2	3/4"	16	23 1/2"	6"	2 1/2"	CWM8S8ACR	\$263.00

Brass Water Manifolds



High quality extruded brass manifolds

- Pressure tested
- Compact mounting
- Stacking bracket available
- Red or Blue finish
- 3/4" or 1" BSP inlet main supply
- 1/4", 3/8" or 1/2" BSP outlet mold supply ports



# of ports	Inlet BSP	Port BSP	Part #	Price Each
4	3/4"	1/4"	117KZ04-13/26*	\$43.85
		3/8"	117KZ04-17/26*	\$43.85
	1"	3/8"	117KZ04-17/33*	\$59.79
		1/2"	117KZ04-21/33*	\$59.79
6	3/4"	1/4"	117KZ06-13/26*	\$53.81
		3/8"	117KZ06-17/26*	\$53.81
	1"	3/8"	117KZ06-17/33*	\$71.75
		1/2"	117KZ06-21/33*	\$71.75
8	3/4"	1/4"	117KZ08-13/26*	\$65.77
		3/8"	117KZ08-17/26*	\$65.77
	1"	3/8"	117KZ08-17/33*	\$91.68
		1/2"	117KZ08-21/33*	\$91.68

* add suffix of R or B to denote Red or Blue color

featuring the best of:

373

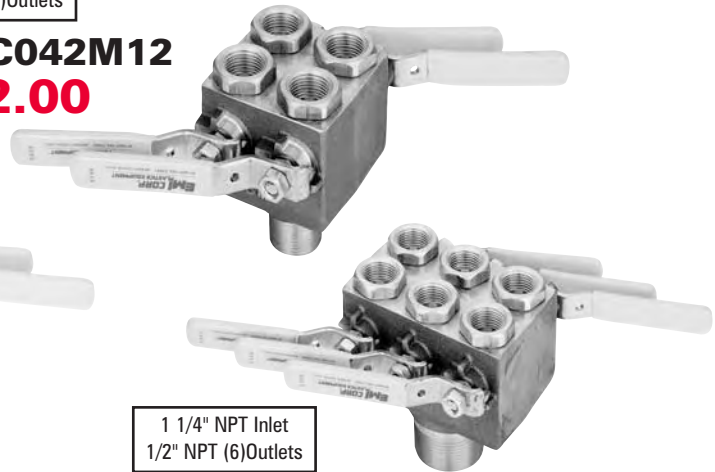
Bronze Valved Manifolds

Cluster

- Rustproof
- No Leaks
- Rated at 120 psi (water or coolant)

3/4" NPT Inlet
1/2" NPT (4) Outlets

Model# **VMC042M12**
\$122.00



1 1/2" NPT Inlet
1/2" NPT (8) Outlets

Model# **VMC082M24**
\$200.00

1 1/4" NPT Inlet
1/2" NPT (6) Outlets

Model# **VMC062M20**
\$164.00

Bronze Valved Manifolds

Inline

- Rustproof
- No Leaks
- Rated at 120 psi (water or coolant)

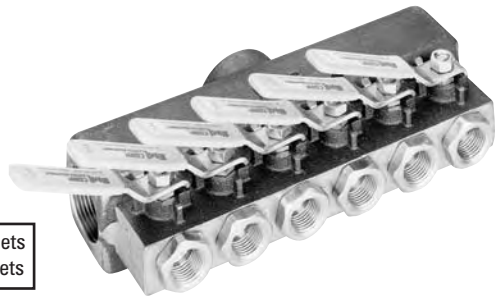
1" NPT (3) Inlets
1/2" NPT (4) Outlets

Model# **VML042F16**
\$139.00



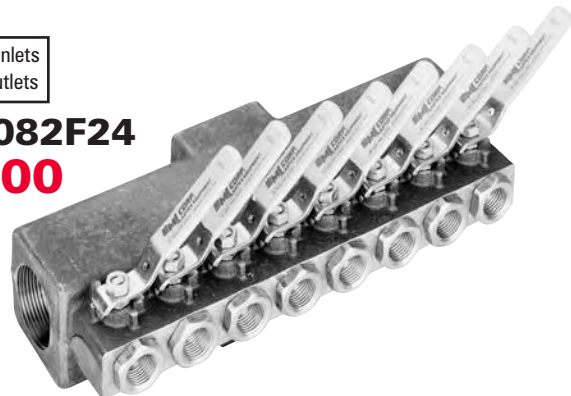
1 1/4" NPT (3) Inlets
1/2" NPT (6) Outlets

Model# **VML062F20**
\$183.00



1 1/2" NPT (3) Inlets
1/2" NPT (8) Outlets

Model# **VML082F24**
\$238.00



Repair Kit
includes: ball, handle, nut, packing nut, stem, packing gland, thrust washer, 2 ball seats and adaptor.
Part# **B6000Z76**
\$12.43